



FINNISH SAUNA JF180

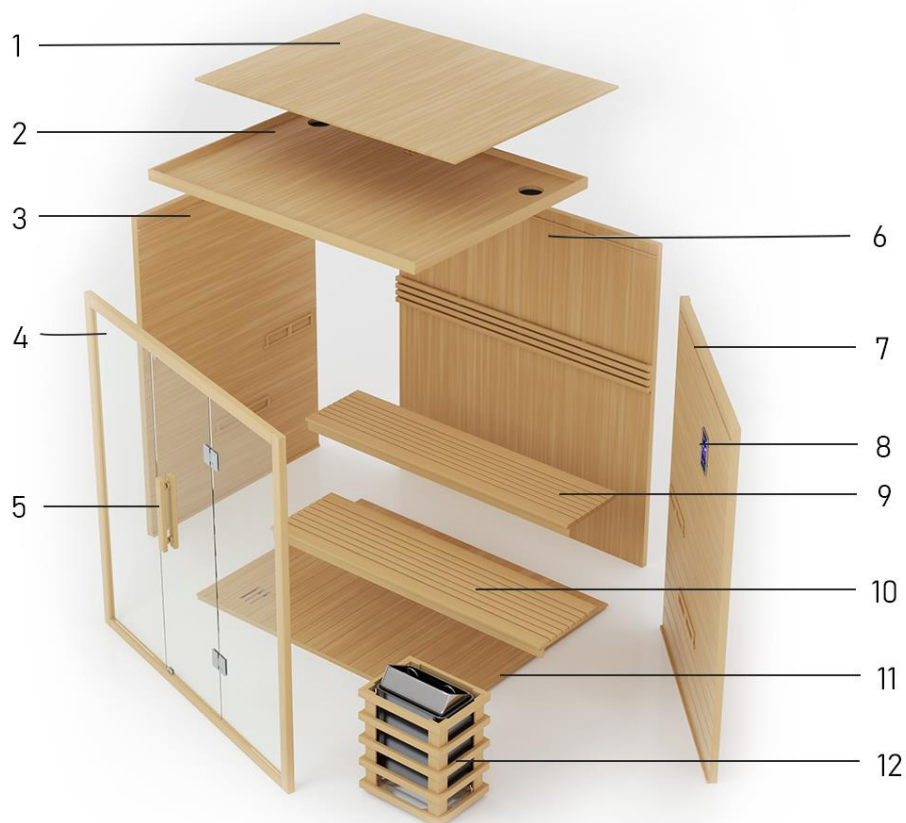
Specifications and assembly instructions

SPECIFICATIONS



Model	JF180
Dimensions	1800x1400x2005 mm
Number of persons	5
Wood	Hemlock, 48 mm
Glass	Transparent, tempered, 8 mm
Hinges	INOX
Control	Control panel with buttons
Operating time	Up to 90 min
Temperature	Up to 90 °C
Ventilation	Yes
Connectivity	USB, Bluetooth, Radio, App
Lighting	LED RGB starry sky
Stove	6 kW, with thermostat, timer and volcanic stone
Connection	Three-phase: Euro socket 400 V, 50 Hz or conductor 5 x 2,5 mm ² and 3 x 16 A fuse
Weight	210 kg

COMPONENTS



- 1 Cover plate
- 2 Ceiling panel
- 3 Left side
- 4 Front page
- 5 Handle
- 6 Back plate

- 7 Right side
- 8 Control panel
- 9 upper bench
- 10 Lower bench
- 11 Bottom
- 12 Stove

RECOMMENDED TOOLS



Screwdriver



Meter



Screwdriver



Screws



Water scale



Imbus key



Knife



Ladder

ASSEMBLY TIPS

Please remove the transport packaging and check that your sauna has been delivered complete and undamaged before starting assembly. At least three people are required to assemble the sauna.



ASSEMBLY STEPS



1. Back plate



2. Left side



3. Right side



4. Bottom



5. upper bench



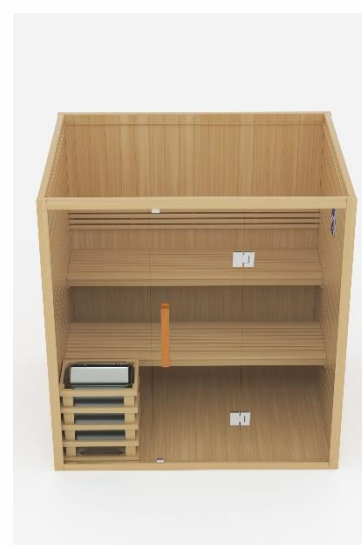
6. Lower bench



7. Heater



8. Front panel



9. Handle

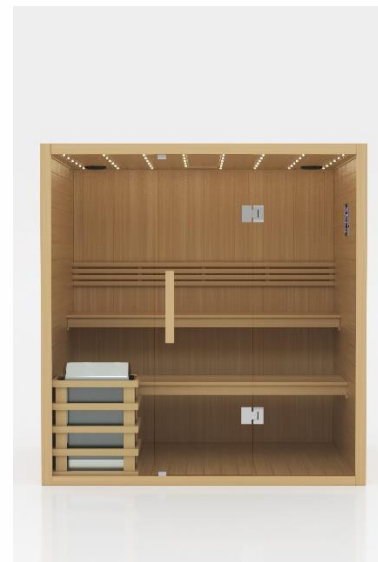




10. Ceiling panel

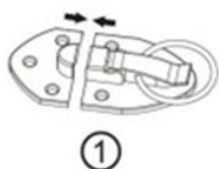


11. Cover plate



12. Composite sauna

Installing the outer buckle



①



②



③

Connecting electrical components



1. Connect the blue UTP cable from the control panel to the sauna control unit..



2. Connect the power cables between the control unit and the stove.

Installation of hinges, handle and cover



1. Install the hinges



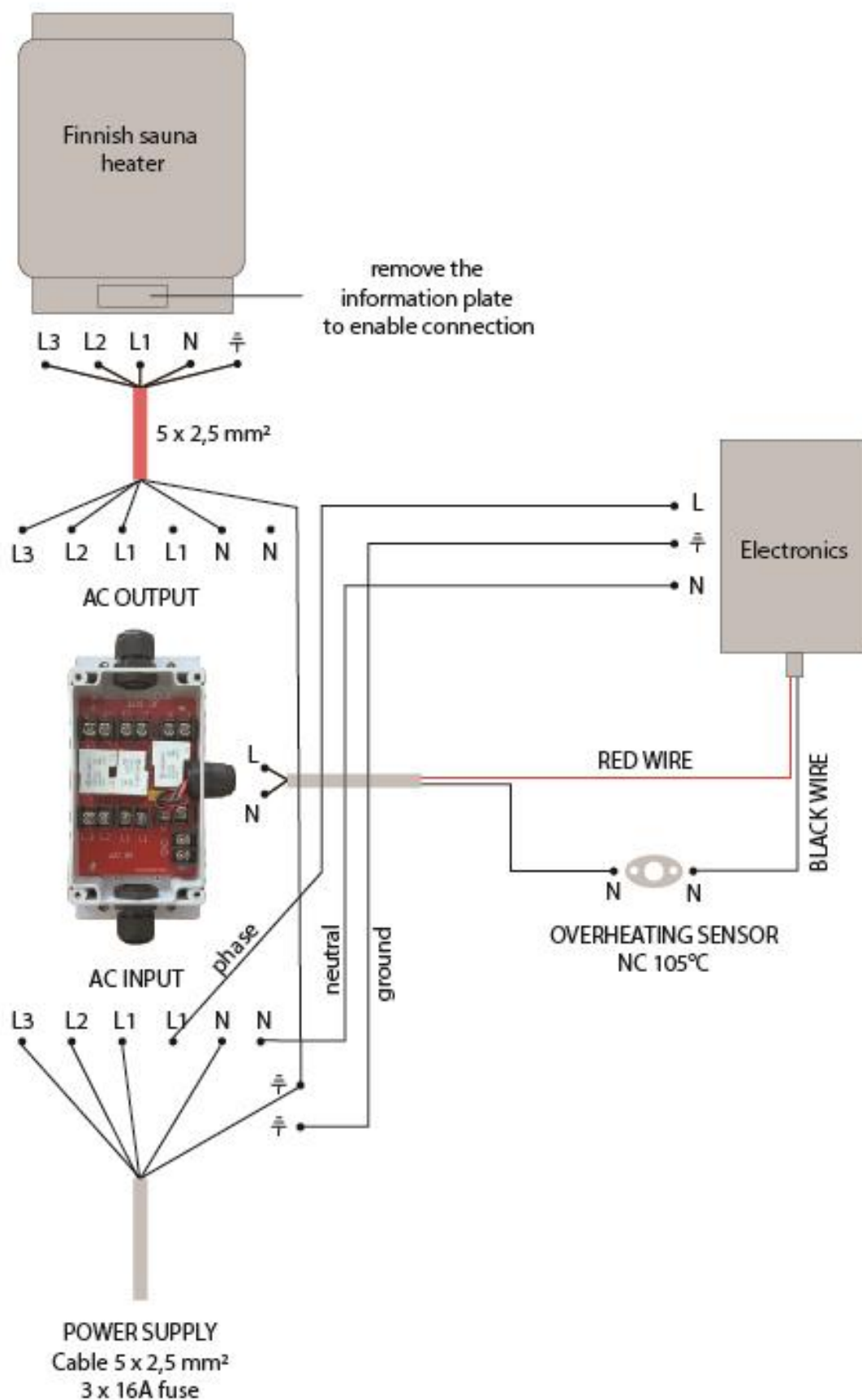
2. Install the handle

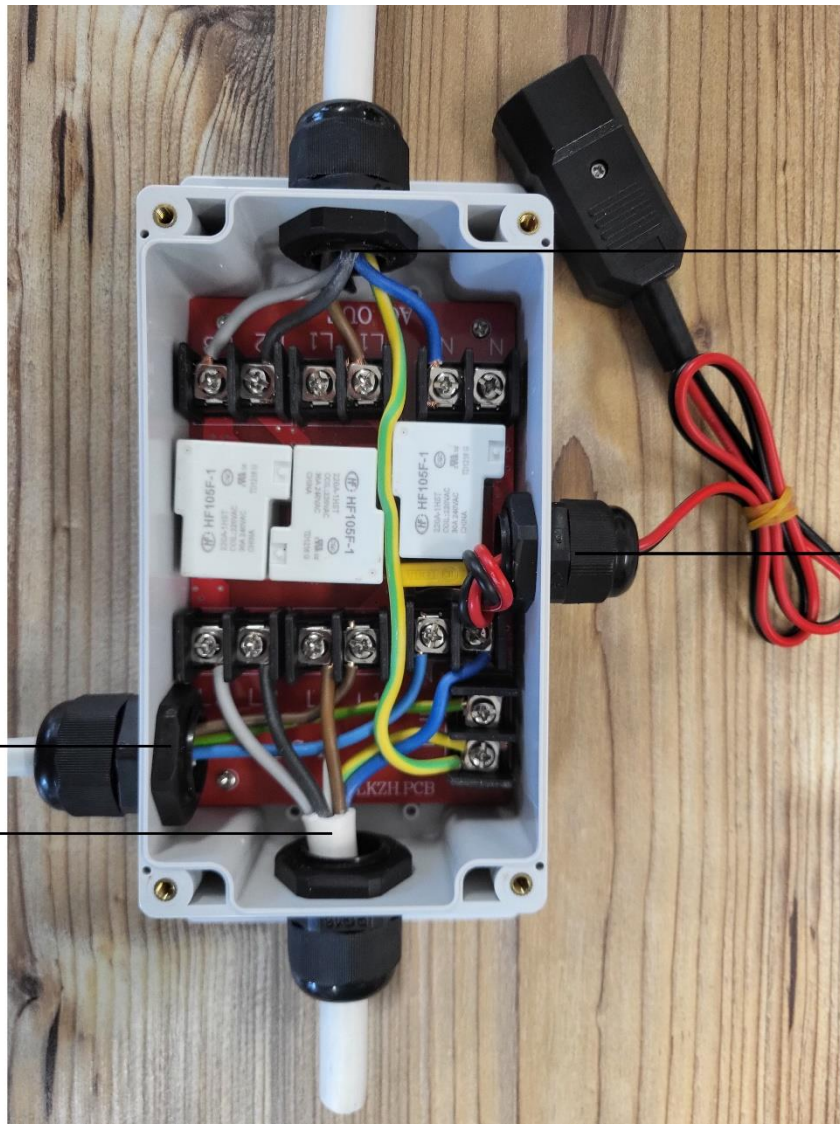


3. Install the cover plate



CONNECTING THE STOVE TO THE ELECTRICAL NETWORK





Control unit power supply

Your line (IN):
3 x 4 mm² conductor
or
5 x 2.5 mm² conductor
(0)

Line or guide
in the stove (OUT):
conductor 3 x 4 mm²
or
conductor 5 x 2.5 mm²
(0)

Communication with the
control unit